

4

3

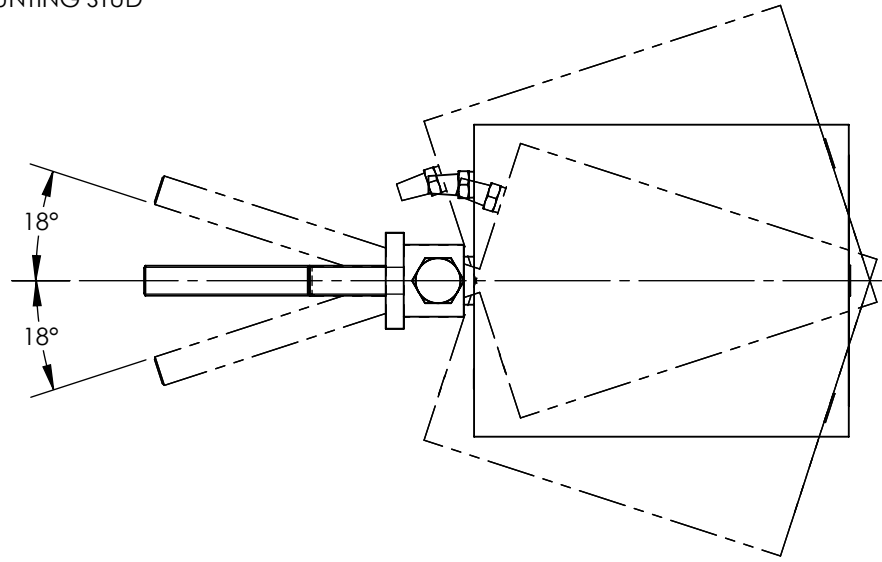
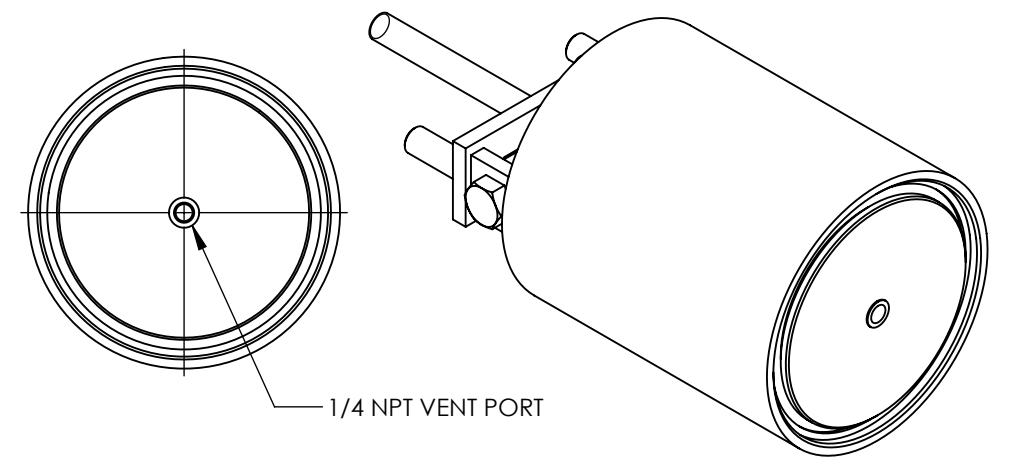
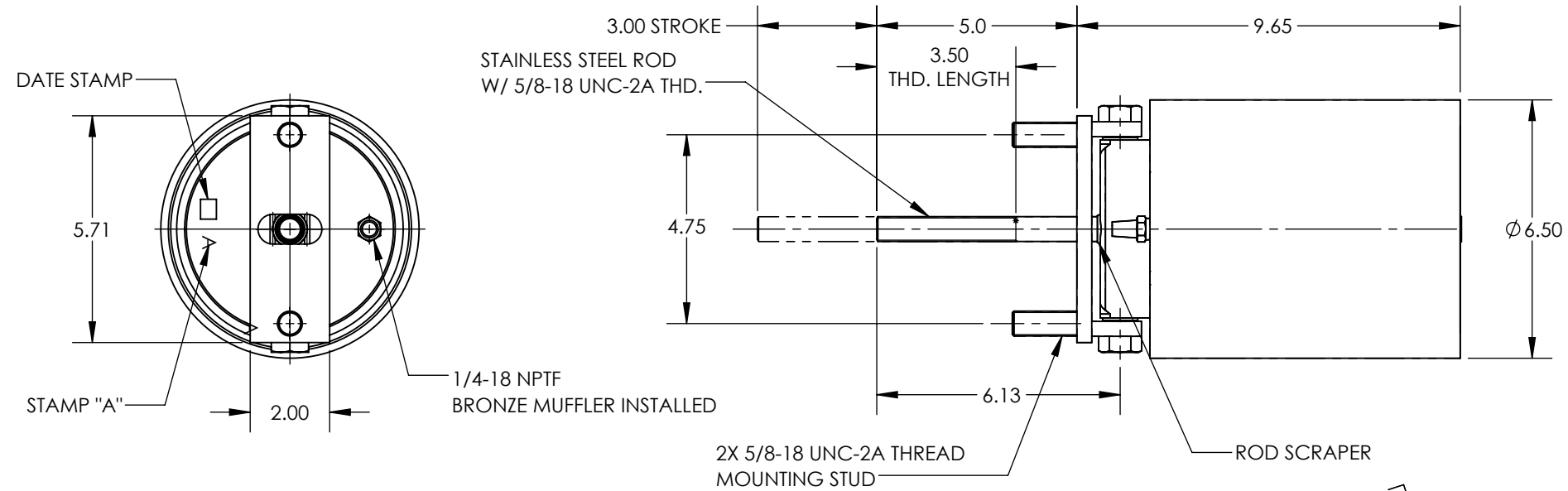
2

1

NOTES:

- 1. APPLICABLE STANDARDS/SPECIFICATIONS:
ASME Y14.5M-1994, DIMENSIONING AND TOLERANCING
ASME Y14.38-1999, ABBREVIATIONS
- 2. COMPONENT OR ITEM TO BE COMPLIANT WITH THE MOST CURRENT REVISION OF THE RoHS / Wee DIRECTIVE FOR THE REDUCTION OF HAZARDOUS SUBSTANCES AND MATERIALS.
- 3. NON-REPAIRABLE
- 4. SPRING LOAD AT ZERO STROKE = 1200 lbs.

REV	DATE	EC #	ZONE	DESCRIPTION	DRAWN	CKD
A	2003-09-05			ORIGINATED	DC	
A1	2003-09-11			5/8-18 WAS 5/8-11, 11.50 WAS 11.41	DC	
C	2004-04-20			UPDATED FOR 6" BORE	DC	
C1	2004-11-04			90 WAS 70 psi, 1100 WAS 90 LBS	DC	
C2	2005-04-06			9.18 WAS 9.68, 95 WAS 90, 1200 WAS 1100	DC	
D	2005-07-13			UPDATED DESIGN ADDED .50" TO LENGTH	DC	
D1	2007-02-26	1067		3.50 WAS 3.00	DC	
D2	2012-05-24			DATE STAMP, LETTER CODE	AJ	
D3	2014-10-08			ADDED COMPRESSION FITTING	IW	
E	2017-08-31			SOLIDWORKS RELEASE	JMA	
E1	2020-07-04			REDRAWN IN SOILDWORKS	NR	



FUNCTION	PNEUMATIC CYLINDER TAIL GATE SINGLE ACTING
MECHANICAL MATERIALS	1/4" WALL ALUMINUM TUBE, STEEL CONSTRUCTION TRUNNION BRACKET W/ OIL LIGHT BUSHINGS & SS PINS, OIL LIGHT ROD BEARING
SEALS	LOW TEMP. NITRILE, LOW COMP. SET POLYURETHANE
FASTENERS	STAINLESS STEEL
MTG STYLE	MOUNTING STUDS
ASSY LUBRICATION	HEAVY TRANSPORT SILICONE
FLOW	N/A
TEMP	-40 TO 180°F
FILTRATION	40 MICRON RECOMMENDED
SYSTEM LUBRICATION REQ'D	N/A
PRESSURE RANGE	MIN: 95 PSI MAX: 150 psi PILOT: NA
LEAK	< 50sccm @ 120 psi
ELECTRICAL VOLTAGE	N/A
CURRENT	N/A

CUSTOMER PRINT

NOTE: PART MUST BE CLEAN AND BURR FREE
MFG TOLERANCES UNLESS OTHERWISE NOTED:
ALL UNITS ARE INCHES
(2) DECIMAL PLACES: ±.01
(3) DECIMAL PLACES: ±.005
ANGLES: ±.5°
BREAK ALL EDGES .005/.015 X 45°
MACHINED SURFACES TO BE 63 RMS
CRITICAL CHARACTERISTIC - CONTROL PLAN REQUIRED

AIRman
PRODUCTS

Third Angle Projection

CONFIDENTIAL: THIS DRAWING OR ANY PART THEREOF IS PROPRIETARY AND MAY NOT BE REPRODUCED OR COPIED WITHOUT WRITTEN CONSENT OF AIRMAN PRODUCTS

DRAWN BY	NR	DESCRIPTION
DRAWN DATE	2020-07-04	CYLINDER, TAIL-A-GATER, 6.0 X 3.0 STROKE
DRAWING SIZE	B	PART NUMBER
MATERIAL	SEE NOTES	B3000-259-H-5
SCALE	1:4	
SHEET #	1 OF 1	

4

3

2

1

A

A

B

B