

4

3

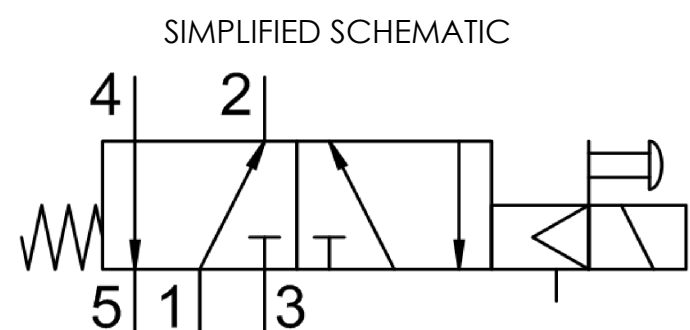
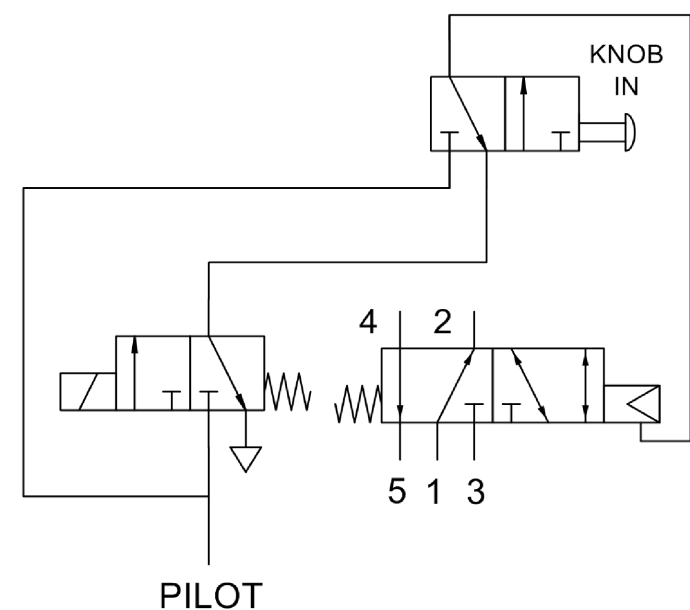
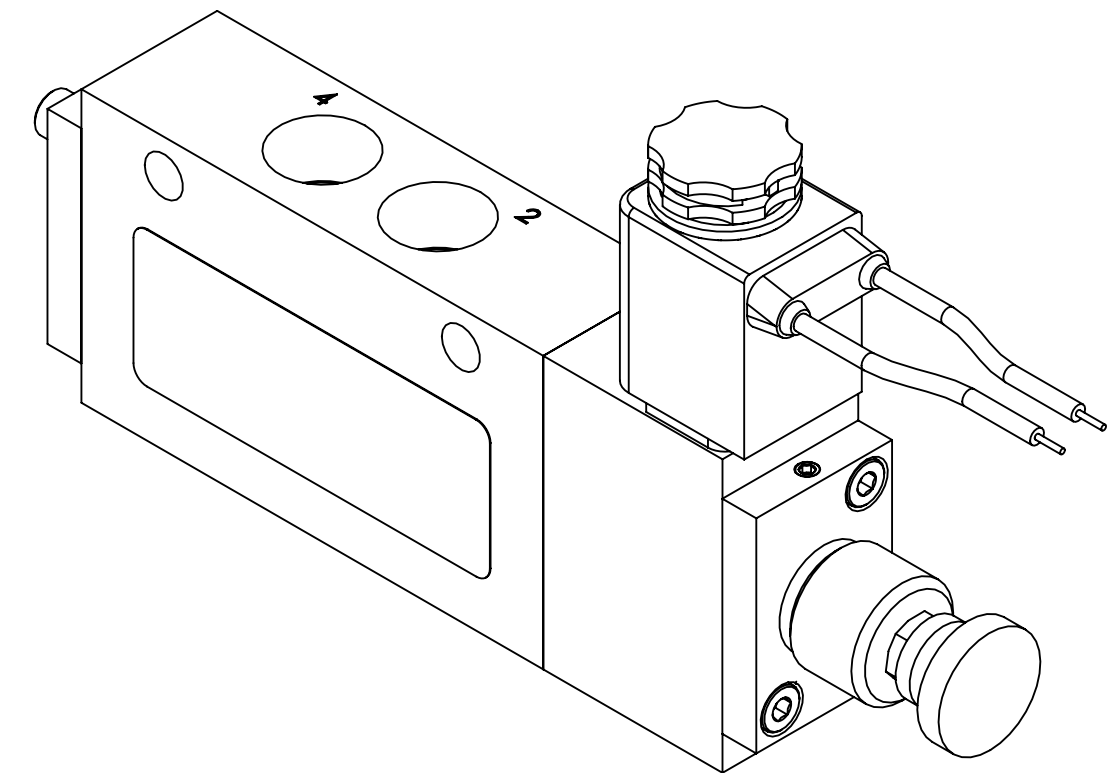
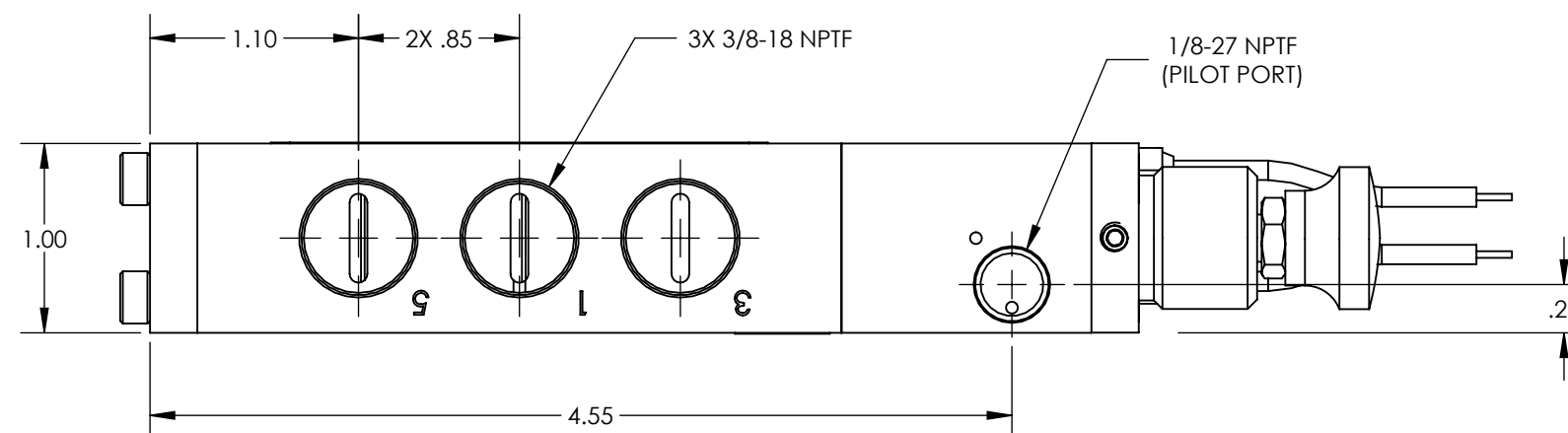
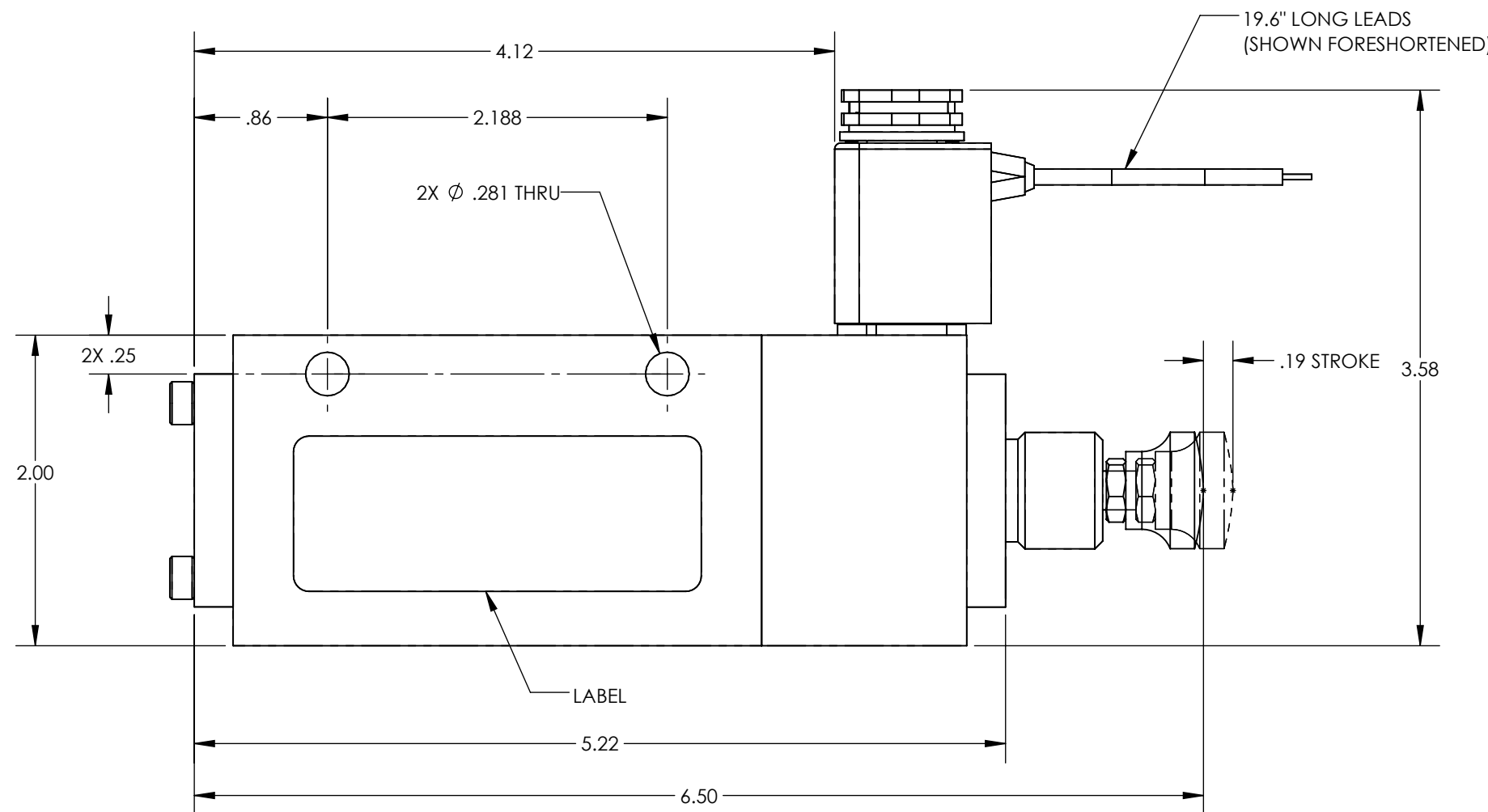
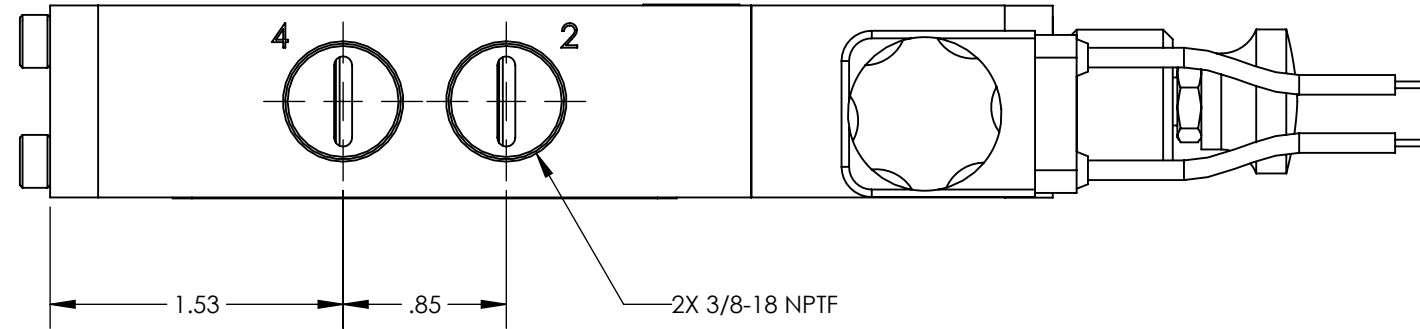
2

1

REV	DATE	EC #	ZONE	DESCRIPTION	DRAWN	CKD
A	2019-11-12			ORIGINATED	NR	CED
B	2020-09-08	2222		ADDED BAG	NR	

NOTES:

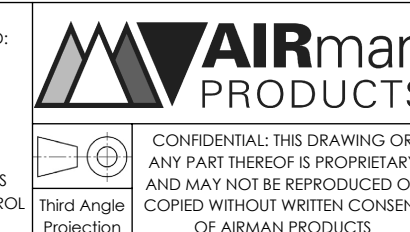
1. APPLICABLE STANDARDS/SPECIFICATIONS:
ASME Y14.5M-1994, DIMENSIONING AND TOLERANCING
ASME Y14.38-1999, ABBREVIATIONS
2. COMPONENT OR ITEM TO BE COMPLIANT WITH THE MOST CURRENT REVISION OF THE RoHS / Wee DIRECTIVE FOR THE REDUCTION OF HAZARDOUS SUBSTANCES AND MATERIALS. ALL DIMENSIONS ARE FOR REFERENCE ONLY.
3. ALL DIMENSIONS ARE FOR REFERENCE ONLY.
4. TABLE PRINT: USE CHART ASSOCIATED WITH AIRMAN ASSEMBLY PART NUMBER. SUFFIXES (EXAMPLES -CLR AND -BLK) ATTACHED TO THE END OF THE AIRMAN PART NUMBER WILL INDICATE THE ANODIZATION COLOR (IF APPLICABLE)
5. ITEM INDIVIDUALLY SEALED IN BAG



CUSTOMER PRINT

AIRman PART NUMBER CHART	
AIRman PART NUMBER	ANODIZATION COLOR
V380E90512-DAL	NON-ANODIZED
V380E90512-DAL-12-BLK	BLACK-ANODIZED
V380E90512-DAL-12-CLR	CLEAR-ANODIZED

NOTE: PART MUST BE CLEAN AND BURR FREE
MFG TOLERANCES UNLESS OTHERWISE NOTED:
ALL UNITS ARE INCHES
(2) DECIMAL PLACES: ±.01
(3) DECIMAL PLACES: ±.005
ANGLES: ±.5°
BREAK ALL EDGES .005/.015 X 45°
MACHINED SURFACES TO BE 63 RMS
CRITICAL CHARACTERISTIC - CONTROL PLAN REQUIRED



DRAWN BY	NR	DESCRIPTION
DRAWN DATE	2019-11-12	VALVE, .38 NPT, 5-2, PPSOL-SR, 12DC
DRAWING SIZE	C	PART NUMBER
MATERIAL	SEE NOTES	V380E90512-DAL
SCALE	1:1	
SHEET #	1 OF 1	

FUNCTION	5/2 SOL. / SPRING RESET WITH AIR OPERATED MANUAL OVERRIDE, EXTERNAL SUPPLIED
MECHANICAL MATERIALS	ALUMINUM BODY & END CAPS
SEALS	LOW TEMP. NITRILE, LOW COMP. SET POLYURETHANE
FASTENERS	STAINLESS STEEL
MTG STYLE	BODY SIDE MOUNT THRU
ASSY LUBRICATION	HEAVY TRANSPORT SILICONE
FLOW	2.2 Cv
TEMP	-40 TO 180°F
FILTRATION	40 MICRON REQUIRED
SYSTEM LUBRICATION REQ'D	N/A
PRESSURE RANGE	MIN: 55 psi MAX: 150 psi
LEAK	N/A
ELECTRICAL VOLTAGE	12 VDC
CURRENT	5 WATTS FLYING LEADS

4

3

2

1